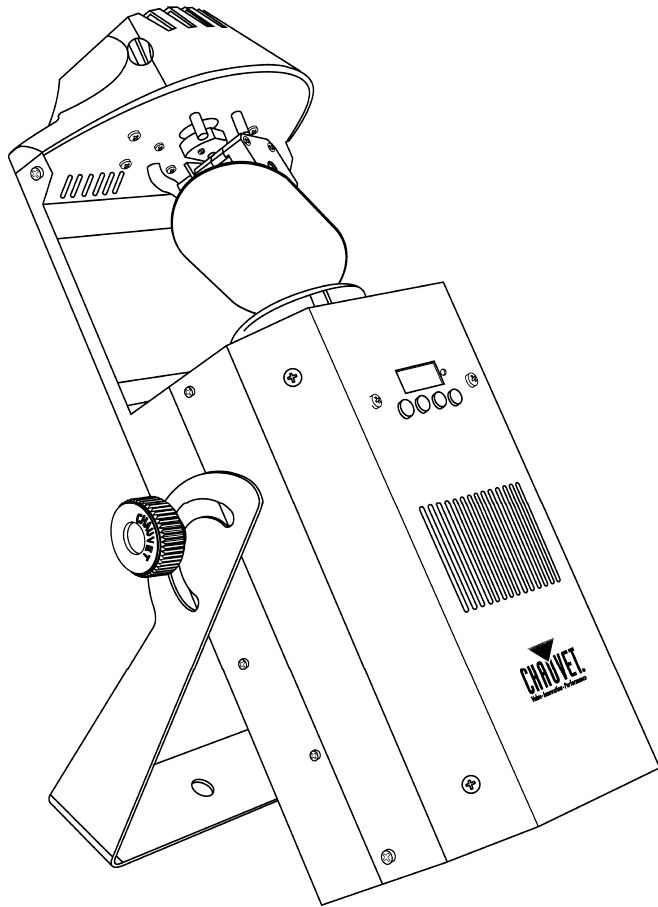


INTIMIDATOR™ SCAN LED 300

User Manual

It's Green Thinking



CHAUVET®
Value • Innovation • Performance

TABLE OF CONTENTS

1. BEFORE YOU BEGIN	3
WHAT IS INCLUDED.....	3
UNPACKING INSTRUCTIONS.....	3
MANUAL CONVENTIONS.....	3
ICONS.....	3
SAFETY INSTRUCTIONS.....	4
2. INTRODUCTION	5
PRODUCT DIMENSIONS.....	5
PRODUCT OVERVIEW.....	6
3. SETUP	7
AC POWER.....	7
<i>Power Linking</i>	7
MOUNTING.....	8
<i>Orientation</i>	8
<i>Rigging</i>	8
4. OPERATING INSTRUCTIONS	9
USING THE CONTROL PANEL.....	9
MENU MAP.....	9
CONFIGURING THE STARTING ADDRESS.....	9
OPERATION.....	10
<i>DMX Operation</i>	10
<i>Master/Slave Mode (Sound-Active, Auto Mode)</i>	10
<i>Automatic-Slow</i>	10
<i>Automatic-Fast</i>	10
<i>Sound-Active</i>	11
SERVICE MODE.....	11
<i>Hidden Menu Map</i>	11
DMX CHANNEL VALUES.....	12
<i>11-CH Mode</i>	12
<i>7-CH Mode</i>	13
5. APPENDIX	14
GENERAL TROUBLESHOOTING.....	14
DMX PRIMER.....	15
FIXTURE LINKING (DAISY CHAIN).....	15
DATA CABLING.....	15
<i>DMX Data Cable</i>	15
CABLE CONNECTORS.....	16
SETTING THE STARTING ADDRESS.....	16
<i>3-Pin to 5-Pin Conversion Chart</i>	17
<i>Setting up a DMX Daisy Chain</i>	17
GENERAL MAINTENANCE.....	18
RETURNS PROCEDURE.....	18
CLAIMS.....	18
TECHNICAL SPECIFICATIONS	19
CONTACT US	20

CHAUVET®, 2010, All Rights Reserved

Information and specifications in this User Manual are subject to change without notice.

CHAUVET® assumes no responsibility or liability for any errors or inaccuracies that may appear in this manual.

Author: Anthony Chiappone

Revision: 01

Release Date: 10-08-2010

1. BEFORE YOU BEGIN

What is included

- 1 x Intimidator™ Scan LED 300
- 1 x Mounting bracket kit
- 1 x Power Cord
- 1 x Warranty Card
- 1 x User Manual

Unpacking Instructions

Immediately upon receiving a fixture, carefully unpack the carton, check the contents to ensure that all parts are present, and have been received in good condition. Notify the shipper immediately and retain packing material for inspection if any parts appear damaged from shipping or the carton itself shows signs of mishandling. Save the carton and all packing materials. In the event that a fixture must be returned to the factory, it is important that the fixture be returned in the original factory box and packing.




Manual Conventions

CHAUVET® manuals use the following conventions to differentiate certain types of information from the regular text.

CONVENTION	MEANING
[10]	A DIP switch to be configured
<Menu>	A key to be pressed on the fixture's control panel
1~512	A range of values
50/60	A set of values of which only one can be chosen
Settings	A menu option not to be modified (for example, showing the operating mode/current status)
MENU > Settings	A sequence of menu options to be followed
ON	A value to be entered or selected

Icons

This manual uses the following icons to indicate information that requires special attention on the part of the user.

ICONS	MEANING
	This paragraph contains critical installation, configuration or operation information. Failure to comply with this information may render the fixture partially or completely inoperative, cause damage to the fixture or cause harm to the user.
	This paragraph contains important installation or configuration information. Failure to comply with this information may prevent the fixture from functioning correctly.
	This paragraph reminds you of useful, although not critical, information.

Safety Instructions

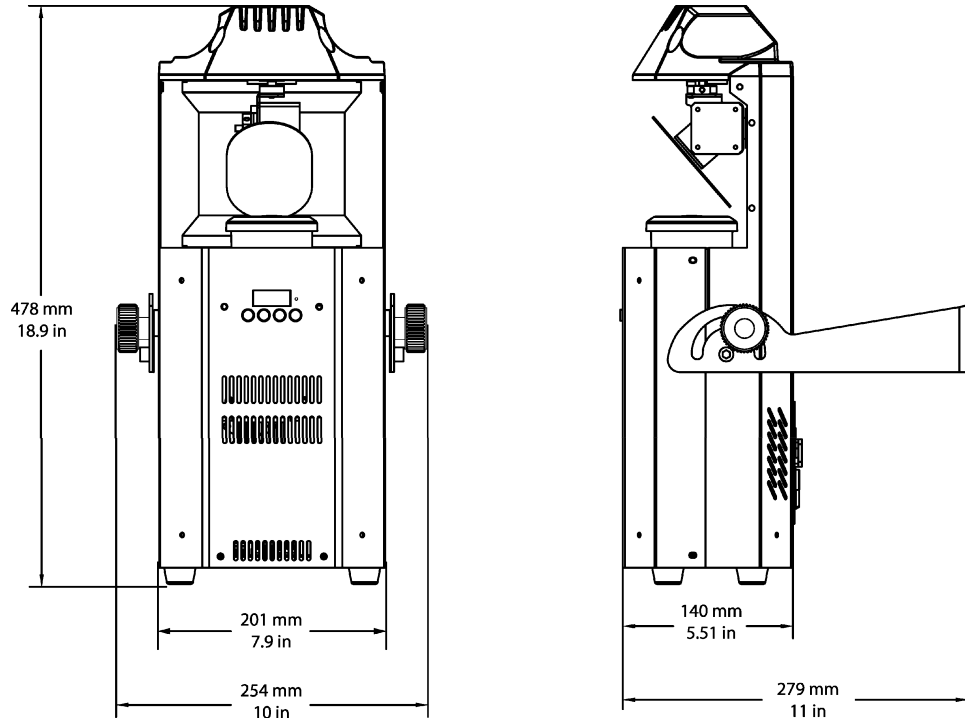


Please read these instructions carefully. It includes important information about the installation, usage and maintenance of this product.

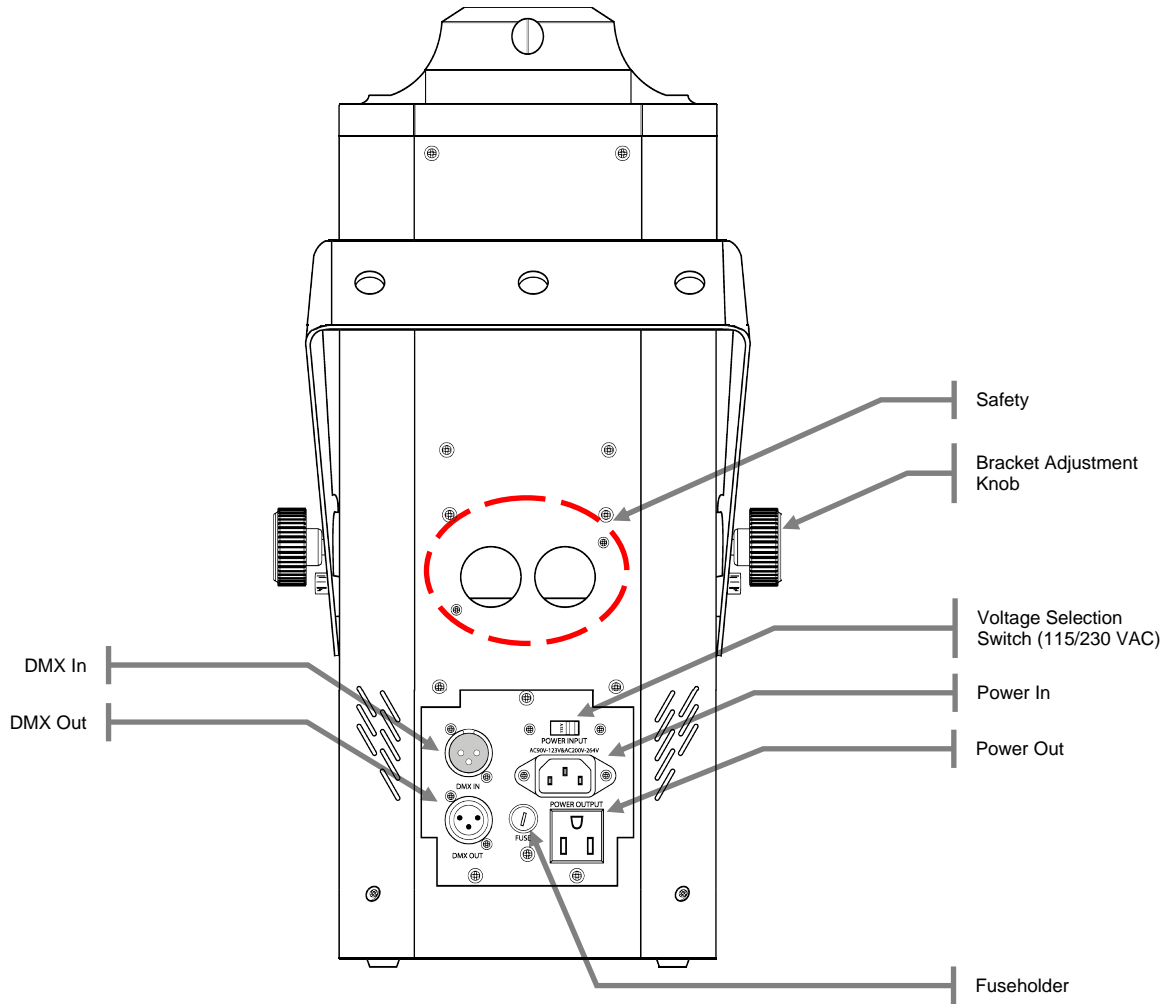
- Please keep this User Manual for future consultation. If you sell the unit to another user, be sure that they also receive this instruction booklet.
- Always make sure that you are connecting to the proper voltage, and that the line voltage you are connecting to is not higher than that stated on the decal or rear panel of the fixture.
- This product is intended for indoor use only! To prevent risk of fire or shock, do not expose fixture to rain or moisture.
- Make sure there are no flammable materials close to the unit while operating.
- The unit must be installed in a location with adequate ventilation, at least 20 in (50 cm) from adjacent surfaces. Be sure that no ventilation slots are blocked.
- Always disconnect from power source before servicing or replacing fuse and be sure to replace with same fuse source.
- Secure fixture to fastening device using a safety chain.
- Maximum ambient temperature (Ta) is 104° F (40° C). Do not operate fixture at temperatures higher than this.
- In the event of a serious operating problem, stop using the unit immediately. Never try to repair the unit by yourself. Repairs carried out by unskilled people can lead to damage or malfunction. Please contact the nearest authorized technical assistance center.
- Never connect the device to a dimmer pack.
- Make sure the power cord is never crimped or damaged.
- Never disconnect the power cord by pulling or tugging on the cord.
- Never carry the fixture directly from the cord. Always use the hanging/mounting bracket.
- Avoid direct eye exposure to the light source while it is on.

2. INTRODUCTION

Product Dimensions



Product Overview



3. SETUP

AC Power

This fixture is switchable and runs on either 115 VAC, 60 Hz or 230 VAC, 50 Hz power. Before powering on the unit, make sure the line voltage to which you are connecting it matches the current setting on the voltage selection switch.

To determine the power requirements for a particular fixture, see the label affixed to the back plate of the fixture or refer to the fixture's specifications chart. A fixture's listed current rating indicates its average current draw under normal conditions.



Always connect the fixture to a switched circuit. Never connect the fixture to a rheostat (variable resistor) or dimmer circuit, even if the rheostat or dimmer channel is used only as a 0 to 100% switch.



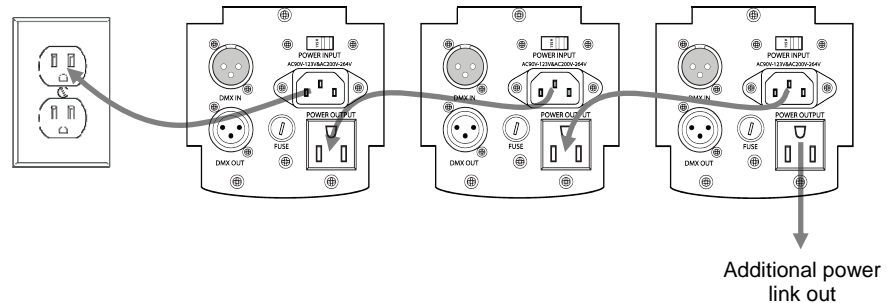
Always connect the fixture to a circuit with a suitable electrical ground.

Power Linking

This fixture contains power linking via the Edison outlet located in front of the power input cable. Please see the diagram below for further explanation.



The maximum quantity of Intimidator™ Scan LED 300 that may be linked is 4.



The power linking shown in this document is for the CHAUVET® North American version ONLY! Therefore, it is the customer's responsibility to check with the Dealer/Distributor regarding power linking on the local version of the product. Connections and availability may change, depending on the power requirements and/or regulations of each country/region.

Mounting

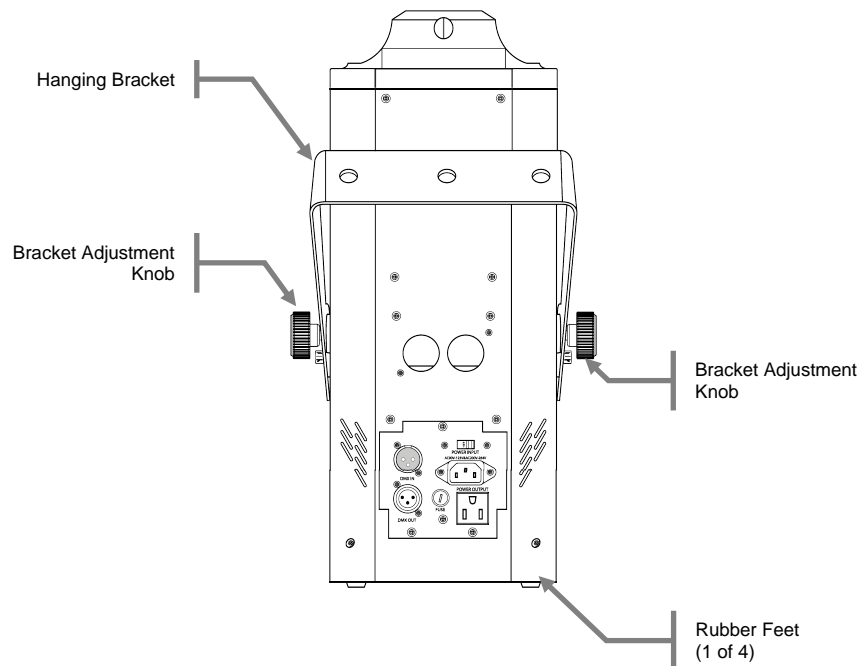
Orientation

The Intimidator™ Scan LED 300 may be mounted in any position provided there is adequate room for ventilation.

Rigging

Be sure that the structure can support the weight of the fixture. Please see the "Technical Specifications" section of this manual for a detailed weight listing. Mount the fixture securely. This may be done with a screw, nut and bolt, or a hanging clamp. The hole in each bracket is 13 mm in size. When rigging, consider routine maintenance and control panel access. Please see the following notes on installation.

- If the power link out is intended to be used with multiple fixture, take into account the length of each power cable, and mount the fixtures close enough to one another to accommodate for this.
- When aiming the fixtures, you may use the bracket/yoke adjustment knob(s). Loosen the knob(s), adjust to the desired angle, and then tighten the knob(s) by turning clockwise. Do not use tools for this step, as it may cause damage.
- Safety cables must always be used.




There are two (2) rigging options available for this product. If using the hanging bracket, then you must use a clamp or a nut & bolt to secure the product. If using the 2 rubber feet, then the hanging bracket is not necessary and may be removed is you desire.

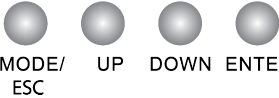
4. OPERATING INSTRUCTIONS

Using the Control Panel

Access control panel functions using the four buttons located directly underneath the LED display on the included wired remote.

BUTTON	FUNCTION
<MODE ESC>	Used to scroll through the current operating mode, as well as back out of the current menu option
<DOWN>	Used to select decreasing advancement in the value
<UP>	Used to select increasing advancement in the value
<ENTER>	Used to select a value and store it to memory





Use the control panel to select the operating mode, as well as the sub-features. For a detailed layout of the control panel functions, please see the “menu map” section on the previous page.

Menu Map

MENU	SELECTION 1	SELECTION 2	DESCRIPTION
DMX Address	d001~512		DMX starting address
	SLAv	SoN	Standalone: Slave receive mode
Standalone Mode	Nsts	SrUn	Standalone: sound-active
	NAFA	FASt	Standalone: fast
	NASL	SLoU	Standalone: slow
Pan Invert	PAN		No function
	rPAN		Pan invert
Tilt Invert	tit		No function
	Rtit		Tilt invert
Display Invert	Dis		No function
	RdiS		Invert the display
Personality	8CH		8-channel personality
	11CH		11-channel personality
Reset	rESt		Reset all motors to correct any errors with motors misaligning during operation
Load Default	LoAd		Revert all settings back to the factory default

Configuring the Starting Address

The Intimidator™ Scan LED 300 fixture uses up to 11 DMX channels. In this DMX configuration/personality, the highest channel that the fixture may be set to in order to function properly is 502. Any address higher than this will prevent access to all of the channels, while in this mode; however, if you desire to use one of the other DMX channels configurations (personalities), please consider the total DMX channels when selecting a DMX address.

The Intimidator™ Scan LED 300 fixture uses 8 or 11 DMX channels, depending on the selected DMX configuration (personality). If this is your first time using DMX, we recommend reading the “DMX Primer” section in the “Appendix”.

Operation

DMX Operation

This is the operating mode which will allow for control with an external DMX controller. You must set the starting address for this mode. If this is your first time using DMX, then it is recommended that you refer to the "DMX Primer" section in the "Appendix" of this manual.

1. Press **<MODE/ESC>** until **d***** appears on the LED screen.
2. Using **<UP>** and **<DOWN>**, select the starting address (001-512).
3. Press **<ENTER >** until one of the DMX personalities appears on the LED screen (**8-CH, 11-CH**).
4. Using **<UP>** and **<DOWN>**, select the desired DMX personality.
5. Press **<ENTER>**.



Only connect 32 fixtures to a single DMX daisy chain!

Master/Slave Mode (Sound-Active, Auto Mode)

This mode allows a single unit, the master, to operate in one of the standalone modes, while one or more fixtures, slaves, synchronize their responses to the master.

Master:

The master fixture may be set in any of the STANDALONE modes: sound-active, fast, or slow.

Slave:

1. Press **<MENU>** until **SLAu** appears on the LED screen.
2. Press **<ENTER >**.



Only connect 31 slave fixtures when operating in this mode!

Automatic-Slow

This fixture has a preprogrammed chase that will operate in a preprogrammed, slow playback speed.

Access this mode via the control panel on the front of the fixture. Please see the instructions below for further explanation.

1. Press **<MODE/ESC>** until one of the standalone modes appears on the LED screen (**SLAv, NStS, NAFA, NASL**).
2. Using **<UP>** and **<DOWN>**, select **NASL**.
3. Press **<ENTER>**.

Automatic-Fast

This fixture has a preprogrammed chase that will operate in a preprogrammed, fast playback speed.

Access this mode via the control panel on the front of the fixture. Please see the instructions below for further explanation.

1. Press **<MODE/ESC>** until one of the standalone modes appears on the LED screen (**SLAv, NStS, NAFA, NASL**).
2. Using **<UP>** and **<DOWN>**, select **NAFA**.
3. Press **<ENTER>**.

Sound-Active

This fixture has a preprogrammed, sound triggered chase.

Access this via the control panel on the front of the fixture. Adjust the microphone sensitivity from the control panel. Please see the chart below for further explanation.

1. Press **<MODE/ESC>** until one of the standalone modes appears on the LED screen (**SLAV, NStS, NAFA, NASL**).
2. Using **<UP>** and **<DOWN>**, select **NStS**.
3. Press **<ENTER>**.



The microphone will only respond to low frequencies (bass).

Service Mode

Hidden Menu Map

This fixture has a hidden menu. The purpose of this menu is to adjust the home position (electronic adjustment) of the attributes listed below.

MAIN FUNCTION	SELECTION	INSTRUCTION
P128	000~255	Adjustment for pan
t128	000~255	Adjustment for tilt
G128	000~255	Adjustment for the gobo wheel
r128	000~255	Adjustment for the gobo wheel rotation
C128	000~255	Adjustment for the color wheel
F128	000~255	Adjustment for the focus

Please see the instructions below to access this hidden menu:

1. Press **< MODE/ESC >** for at least 10 seconds.
2. Using **<UP/DOWN>**, enter the following pass code: **"2323"**. Press **<UP>** to change the blinking digit in ascending order, and press **<DOWN>** to move on to the next digit.
3. Press **<ENTER>**.



This mode will be automatically terminated after 10 seconds of being idol.

DMX Channel Values

11-CH Mode

CHANNEL	VALUE	FUNCTION	CHANNEL	VALUE	FUNCTION								
1	000 ⇔ 255	Pan 0°~180°	7	000 ⇔ 015 016 ⇔ 127 128 ⇔ 239 240 ⇔ 255	Gobo Rotation Stop Rotate Counter-clockwise (slow ⇔ fast) Rotate Clockwise (slow ⇔ fast) Gobo bounce								
		2			000 ⇔ 255	Tilt 0°~90°	8	000 ⇔ 003 004 ⇔ 255	Prism Open Stop, static prism effect				
3	000 ⇔ 006 007 ⇔ 013 014 ⇔ 020 021 ⇔ 027 028 ⇔ 034 035 ⇔ 041 042 ⇔ 048 049 ⇔ 055 056 ⇔ 063 064 ⇔ 070 071 ⇔ 077 078 ⇔ 084 085 ⇔ 091 092 ⇔ 098 099 ⇔ 105 106 ⇔ 112 113 ⇔ 119 120 ⇔ 127 128 ⇔ 191 192 ⇔ 255		Color Open (white) Yellow Pink Green Peachblow Blue Kelly Red Dark blue White/yellow (split colors) Yellow/pink (split colors) Pink/green (split colors) Green/peach blow (split colors) Peachblow/blue (split colors) Blue/Kelly (split colors) Kelly/red (split colors) Red/dark blue (split colors) Dark blue/white (split colors) Rotate clockwise (slow ~ fast) Rotate counter-clockwise (slow ~ fast)	9		0 ⇔ 255			Focus Near ⇔ Far				
		4	000 ⇔ 003 004 ⇔ 007 008 ⇔ 215 216 ⇔ 255		Shutter Closed Open Strobe (slow ~ fast) Open		10	000 ⇔ 007 008 ⇔ 015 016 ⇔ 023 024 ⇔ 031 032 ⇔ 039 040 ⇔ 047 048 ⇔ 055 056 ⇔ 087 088 ⇔ 095 096 ⇔ 103 104 ⇔ 111 112 ⇔ 119 120 ⇔ 127 128 ⇔ 135 136 ⇔ 143 144 ⇔ 151 152 ⇔ 159 160 ⇔ 255	Function No function Pan/tilt move-in-black Pan/tilt move-in-black (disable) Color wheel move-in-black Color wheel move-in-black (disabled) Gobo wheel move-in-black Gobo wheel move-in-black (disabled) No Function All movement move-in-black (disabled) Reset pan/tilt No Function Reset color wheel Reset gobo wheel No Function Reset prism Reset focus Reset all No function				
					5				000 ⇔ 255	Dimmer Dimmer: 0%~100%	11	000 ⇔ 007 008 ⇔ 023 024 ⇔ 039 040 ⇔ 055 056 ⇔ 071 072 ⇔ 087 088 ⇔ 103 104 ⇔ 119 120 ⇔ 135 136 ⇔ 151 152 ⇔ 167 168 ⇔ 183 184 ⇔ 199 200 ⇔ 215 216 ⇔ 231 232 ⇔ 247 248 ⇔ 255	Movement Macros No function Automatic 1 Automatic 2 Automatic 3 Automatic 4 Automatic 5 Automatic 6 Automatic 7 Automatic 8 Sound 1 Sound 2 Sound 3 Sound 4 Sound 5 Sound 6 Sound 7 Sound 8
										6			000 ⇔ 007 008 ⇔ 015 016 ⇔ 023 024 ⇔ 031 032 ⇔ 039 040 ⇔ 047 048 ⇔ 055 056 ⇔ 063 064 ⇔ 071 072 ⇔ 079 080 ⇔ 087 088 ⇔ 095 096 ⇔ 103 104 ⇔ 111 112 ⇔ 119 120 ⇔ 127 128 ⇔ 191 192 ⇔ 255



1



2



3



4



5



6



7

7-CH Mode

CHANNEL	VALUE	FUNCTION	CHANNEL	VALUE	FUNCTION
1	000 ⇔ 255	Pan 0°~180°	6	000 ⇔ 015	Gobo Rotation Stop Rotate Counter-clockwise (slow ⇔ fast) Rotate Clockwise (slow ⇔ fast) Gobo bounce
2	000 ⇔ 255	Tilt 0°~90°		016 ⇔ 127	
3	000 ⇔ 006	Open (white)		128 ⇔ 239	
	007 ⇔ 013	Yellow	240 ⇔ 255		
	014 ⇔ 020	Pink	Prism Open Stop, static prism effect		
	021 ⇔ 027	Green			
	028 ⇔ 034	Peachblow			
	035 ⇔ 041	Blue			
	042 ⇔ 048	Kelly			
	049 ⇔ 055	Red			
	056 ⇔ 063	Dark blue			
	064 ⇔ 070	White/yellow (split colors)			
	071 ⇔ 077	Yellow/pink (split colors)			
	078 ⇔ 084	Pink/green (split colors)			
	085 ⇔ 091	Green/peach blow (split colors)			
	092 ⇔ 098	Peachblow/blue (split colors)			
	099 ⇔ 105	Blue/Kelly (split colors)			
	106 ⇔ 112	Kelly/red (split colors)			
113 ⇔ 119	Red/dark blue (split colors)				
120 ⇔ 127	Dark blue/white (split colors)				
128 ⇔ 191	Rotate clockwise (slow ~ fast)				
192 ⇔ 255	Rotate counter-clockwise (slow ~ fast)				
4	000 ⇔ 003	Shutter Closed	8	0 ⇔ 255	Focus Near ⇔ Far
	004 ⇔ 007	Open			
	008 ⇔ 215	Strobe (slow ~ fast)			
	216 ⇔ 255	Open			
	5	000 ⇔ 007		Gobo Wheel Open	
008 ⇔ 015		Gobo 1 (glass)			
016 ⇔ 023		Gobo 2 (glass)			
024 ⇔ 031		Gobo 3			
032 ⇔ 039		Gobo 4			
040 ⇔ 047		Gobo 5			
048 ⇔ 055		Gobo 6			
056 ⇔ 063		Gobo 7			
064 ⇔ 071		Gobo 7 shake, fast to slow			
072 ⇔ 079		Gobo 6 shake, fast to slow			
080 ⇔ 087		Gobo 5 shake, fast to slow			
088 ⇔ 095		Gobo 4 shake, fast to slow			
096 ⇔ 103		Gobo 3 shake, fast to slow			
104 ⇔ 111		Gobo 2 (glass) shake, (fast ⇔ slow)			
112 ⇔ 119		Gobo 1 (glass) shake, (fast ⇔ slow)			
120 ⇔ 127		Open			
128 ⇔ 191		Gobo scroll: Clockwise rotation			
192 ⇔ 255		Gobo scroll: Counter-clockwise rotation			



1



2



3



4



5



6



7

5. APPENDIX

General Troubleshooting

SYMPTOM	POSSIBLE CAUSE(S)	POSSIBLE ACTION(S)
Breaker/Fuse keeps blowing	<ul style="list-style-type: none"> Excessive circuit load Short circuit along the power wires 	<ul style="list-style-type: none"> Check total load placed on the electrical circuit. Check for a short in the electrical wiring (internal and/or external).
Device does not power up	<ul style="list-style-type: none"> No power Loose power cord 	<ul style="list-style-type: none"> Check for power on Mains. Check power cord
Fixture is not responding to DMX	<ul style="list-style-type: none"> Wrong DMX addressing Damaged DMX cables Wrong polarity settings on the controller Loose DMX cables Faulty DMX interface Faulty Main PCB 	<ul style="list-style-type: none"> Check Control Panel and unit addressing Check DMX cables Check polarity switch settings on the controller Check cable connections Replace DMX input Replace Main PCB
Loss of signal	<ul style="list-style-type: none"> Non DMX cables Bouncing signals Long cable / Low level signal Too many fixtures Interference from AC wires 	<ul style="list-style-type: none"> Use only DMX compatible cables Install terminator as suggested. Install amplifier right after fixture with strong signal. Install an optically coupled DMX splitter after unit #32. Keep DMX cables separated from power cables or black lights.



If you still have a problem after trying the above solutions, please contact CHAUVET® Technical Support.

DMX Primer

There are 512 channels in a DMX connection. A fixture capable of receiving DMX will require one or a number of sequential channels. The user must assign a starting address on the fixture that indicates the first channel reserved in the controller. There are many different types of DMX controllable fixtures and they all may vary in the total number of channels required. Choosing a start address should be planned in advance. Channels should never overlap. If they do, this will result in erratic operation of the fixtures whose starting address is set incorrectly. You can however, control multiple fixtures of the same type using the same starting address as long as the intended result is that of unison movement or operation. In other words, the fixtures will all respond exactly the same.

DMX fixtures are designed to receive data through a daisy chain. A daisy chain connection is where the DATA OUT of one fixture connects to the DATA IN of the next fixture. The order in which the fixtures are connected is not important and has no effect on how a controller communicates to each fixture. Use an order that provides for the easiest and most direct cabling. Connect fixtures using shielded two conductor twisted pair DMX data cable with three pin XLR male to female connectors. The shield connection is pin 1, while pin 2 is Data Negative (S-) and pin 3 is Data positive (S+).

Fixture Linking (Daisy Chain)

You will need a daisy chain to run light shows of one or more fixtures using a DMX controller or to run synchronized shows on two or more fixtures set to a master/slave operating mode. The combined number of channels required by all the fixtures on a daisy chain determines the number of fixtures the data link can support.



To comply with the EIA-485 standard, do not connect more than 32 fixtures on one daisy chain. Connecting more than 32 fixtures on one daisy chain without the use of a DMX optically-isolated splitter may result in deterioration of the digital DMX signal.

Maximum recommended cable distance: 500 m (1640 ft)

Maximum recommended number of fixtures on a daisy chain: 32

Data Cabling

To link fixtures together you must obtain data cables. You can purchase CHAUVET® certified DMX cables directly from a dealer/distributor or construct your own cable. If you choose to create your own cable please use data-grade cables that can carry a high quality signal and are less prone to electromagnetic interference.

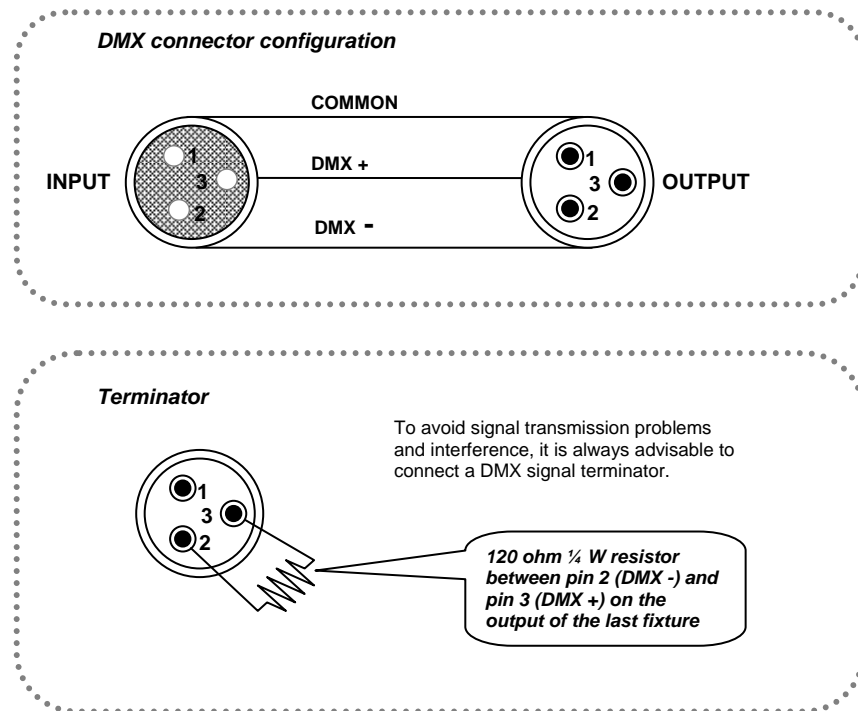
DMX Data Cable

Use a Belden© 9841 or equivalent cable which meets the specifications for EIA RS-485 applications. Standard microphone cables cannot transmit DMX data reliably over long distances. The cable must have the following characteristics:

Type:	<i>shielded, 2-conductor twisted pair</i>
Maximum capacitance between conductors:	<i>30 pF/ft</i>
Maximum capacitance between conductor and shield:	<i>55 pF/ft</i>
Maximum resistance:	<i>20 ohms/1000 ft</i>
Nominal impedance:	<i>100 ~ 140 ohms</i>

Cable Connectors

Cabling must have a male XLR connector on one end and a female XLR connector on the other end.



Do not allow contact between the common and the fixture's chassis ground. Grounding the common can cause a ground loop, and your fixture may perform erratically. Test cables with an ohm meter to verify correct polarity and to make sure the pins are not grounded or shorted to the shield or each other.

Setting the Starting Address

This DMX mode enables the use of a universal DMX controller device. Each fixture requires a start address from 1~512. A fixture requiring one or more channels for control begins to read the data on the channel indicated by the start address. For example, a fixture that uses six DMX channels and was addressed to start on DMX channel 100, would read data from channels: 100, 101, 102, 103, 104, and 105. Choose start addresses so that the channels used do not overlap, and note the start address selected for future reference.

If this is your first time addressing a fixture using the DMX control protocol, we suggest jumping to the "Appendix" section and reading the heading "DMX Primer". It contains very useful information that will help you understand its use.

3-Pin to 5-Pin Conversion Chart

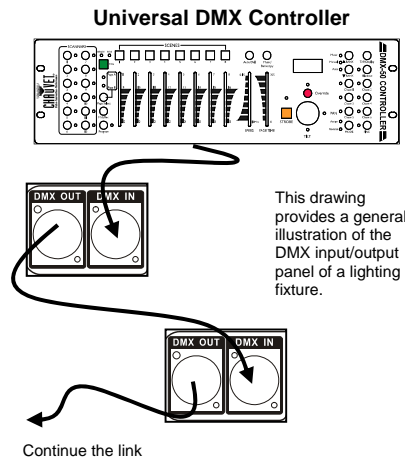


If you use a controller with a 5-pin DMX output connector, you will need to use a 5-pin to 3-pin adapter. The chart below details a proper cable conversion:

3-PIN TO 5-PIN CONVERSION CHART		
Conductor	3-Pin Female (Output)	5-Pin Male (Input)
Ground/Shield	Pin 1	Pin 1
Data (-) signal	Pin 2	Pin 2
Data (+) signal	Pin 3	Pin 3
Not used		Pin 4
Not used		Pin 5

Setting up a DMX Daisy Chain

1. Connect the (male) 3-pin connector side of the DMX cable to the output (female) 3-pin connector of the controller.
2. Connect the end of the cable coming from the controller which will have a (female) 3-pin connector to the input connector of the next fixture consisting of a (male) 3-pin connector.
3. Then, proceed to connect from the output as stated above to the input of the following fixture and so on.



General Maintenance

To maintain optimum performance and minimize wear, fixtures should be cleaned frequently. Usage and environment are contributing factors in determining frequency. As a general rule, fixtures should be cleaned at least twice a month. Dust build up reduces light output performance and can cause overheating. This can lead to reduced lamp life and increased mechanical wear. Be sure to power off fixture before conducting maintenance.

- Unplug fixture from power.
- Use a vacuum or air compressor and a soft brush to remove dust collected on external vents.
- Clean all lenses when the fixture is cool with a mild solution of glass cleaner or Isopropyl Alcohol and a soft lint free cotton cloth or lens tissue.
- Apply solution to the cloth or tissue and drag dirt and grime to the outside of the lens.
- Gently polish optical surfaces until they are free of haze and lint.

The cleaning of external optical lenses and/or mirrors must be carried out periodically to optimize light output. Cleaning frequency depends on the environment in which the fixture operates. Damp, smoky or particularly dirty surroundings can cause greater accumulation of dirt on the unit's optics. Clean with soft cloth using normal glass cleaning fluid. Clean the external optics at least every 20 days. Clean the fixture at least every 30/60 days.



Always dry the parts carefully after cleaning them.



Never spin a fan using compressed air.

Returns Procedure

Returned merchandise must be sent prepaid and in the original packing; call tags will not be issued. Package must be clearly labeled with a Return Merchandize Authorization Number (RMA #). Products returned without the RMA # will be refused. Call CHAUVET® and request an RMA # prior to shipping the fixture. Be prepared to provide the model number, serial number and a brief description of the cause for the return. Be sure to pack fixture properly; any shipping damage resulting from inadequate packaging is the customer's responsibility. As a suggestion, proper UPS packing or double-boxing is always a safe method to use. CHAUVET® reserves the right to use its own discretion to repair or replace product(s).



If you are given an RMA #, please include the following information on a piece of paper inside the box:

- 1) ***Your name***
- 2) ***Your address***
- 3) ***Your phone number***
- 4) ***The RMA #***
- 5) ***A brief description of the symptoms***

Claims

Damage incurred in shipping is the responsibility of the shipper; therefore, the damage must be reported to the carrier upon receipt of merchandise. It is the customer's responsibility to notify and submit claims with the shipper in the event that a fixture is damaged due to shipping. Any other claim for items such as missing component/part, damage not related to shipping, and concealed damage, must be made within seven (7) days of receiving merchandise.

TECHNICAL SPECIFICATIONS

WEIGHT & DIMENSIONS

Length..... 11 in (279 mm)
Width..... 10 in (254 mm)
Height..... 18.9 in (478 mm)
Weight..... 14.7 lbs (6.7 kg)

GOBO SIZE

Outside..... 23.8 mm
Inside 20.9 mm
Thickness (max)..... 2 mm

MOVEMENT RANGE

Pan..... 180°
Tilt 90°

POWER

Switchable..... 115/230 VAC, 50/60 Hz
Power consumption @ 120 V 149 W (2.1 A) max, 0.2 A inrush
Power consumption @ 230 V 149 W (1.1 A) max, 0.2 A inrush
Power output..... 4 units max

LIGHT SOURCE

Type high-power, single source LED
Quantity..... 1 (white)
Rating (red, green, blue)..... (60 W) 14.9 A, 50,000 hrs

PHOTO OPTIC

Lux 9.650 @ 1 m
Beam angle..... 21°

INDOOR/OUTDOOR

Rating..... For indoor use only

THERMAL

Maximum ambient temperature 104° F (40° C)

CONTROL & PROGRAMMING

Data input..... locking 3-pin XLR male socket
Data output locking 3-pin XLR female socket
Data pin configuration pin 1 shield, pin 2 (-), pin 3 (+)
Protocols..... DMX-512 USITT
DMX Channels (user-configurable) 8 or 11

ORDERING INFORMATION

Intimidator™ Scan LED 300 INTIMIDATORSCANLED300

WARRANTY INFORMATION

Warranty 2-year limited warranty

CONTACT Us

World Wide

General Information

CHAUVET®
5200 NW 108th Ave
Sunrise, FL 33351
voice: 954.929.1115
fax: 954.929.5560
toll free: 800.762.1084

Technical Support

CHAUVET®
5200 NW 108th Ave
Sunrise, FL 33351
voice: 954.929.1115 (**Press 4**)
fax: 954.929.5560 (**Attention: Service**)

World Wide Web

www.chauvetlighting.com